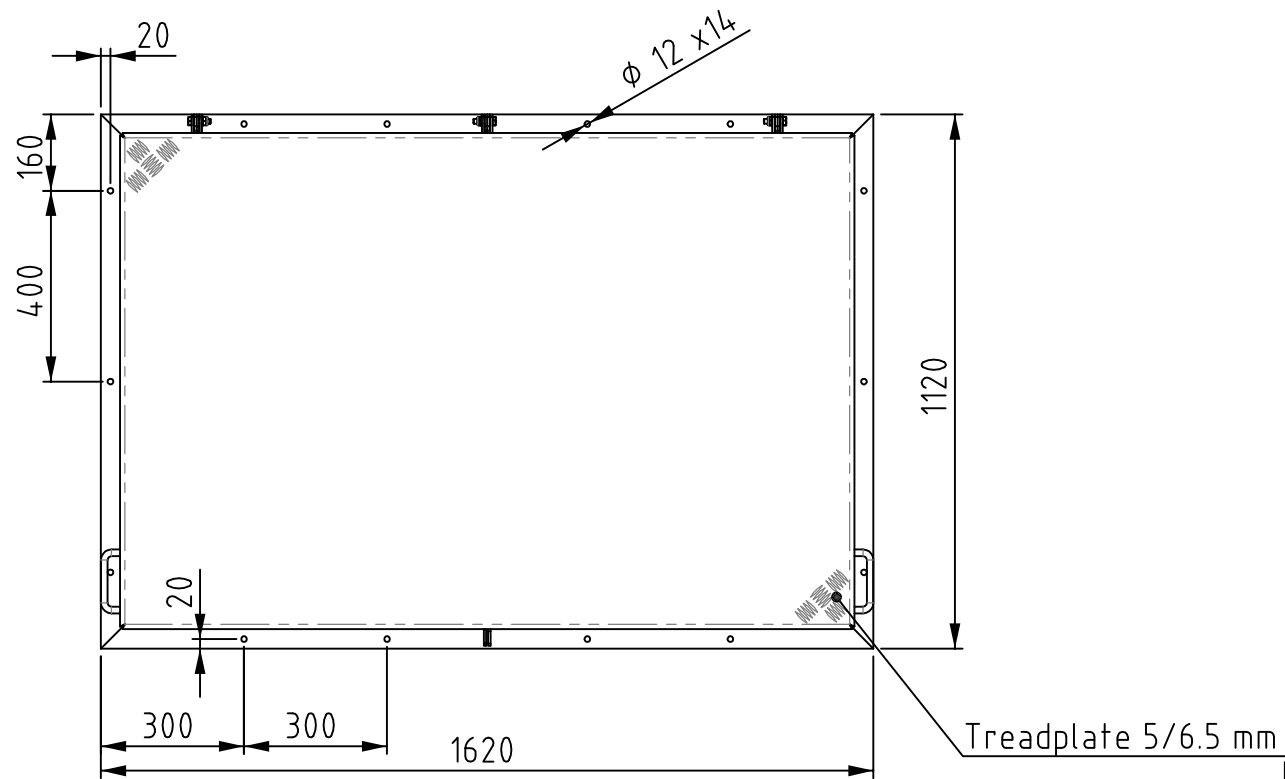
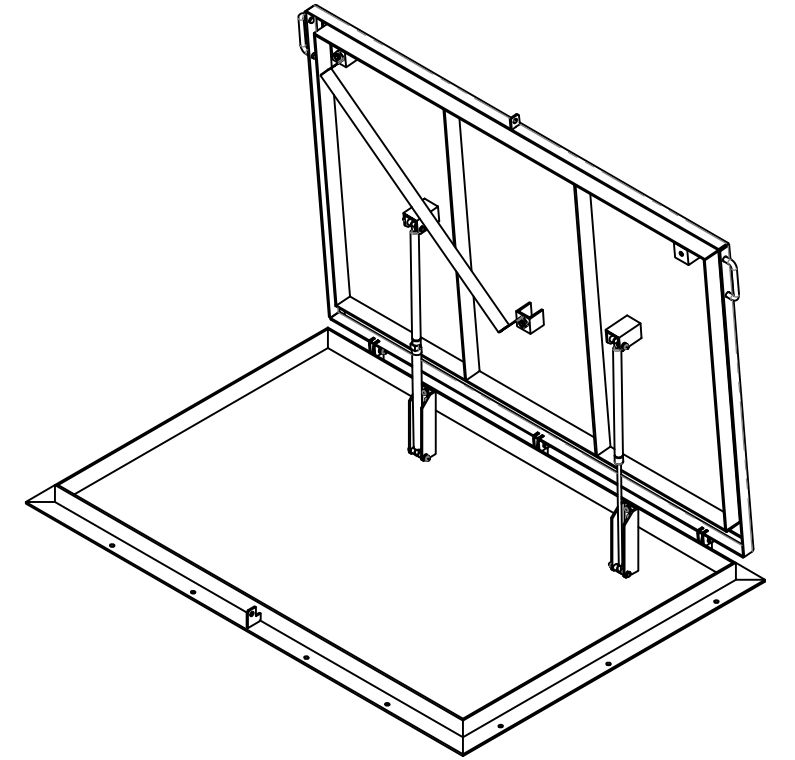
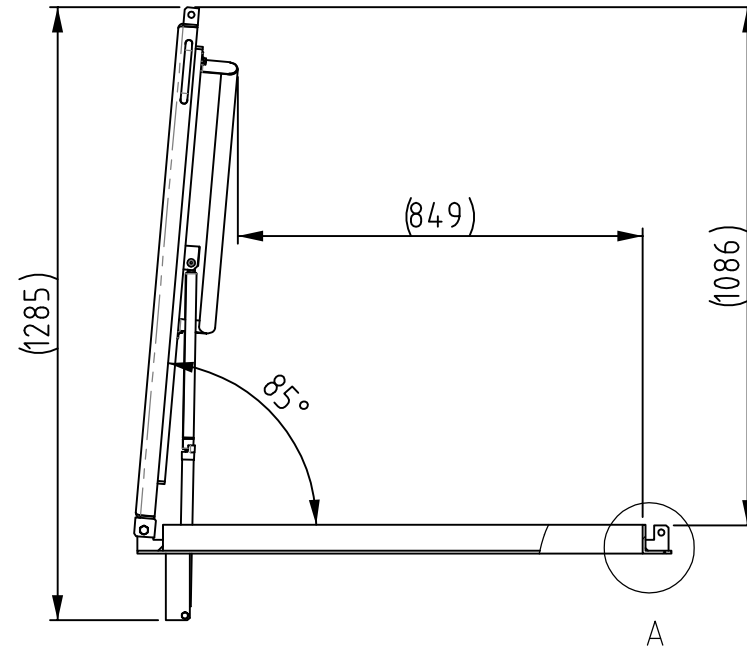
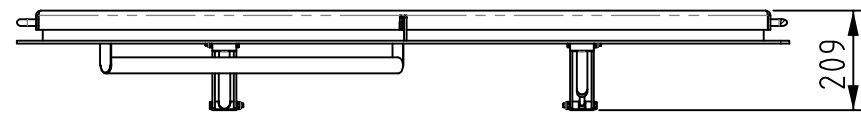
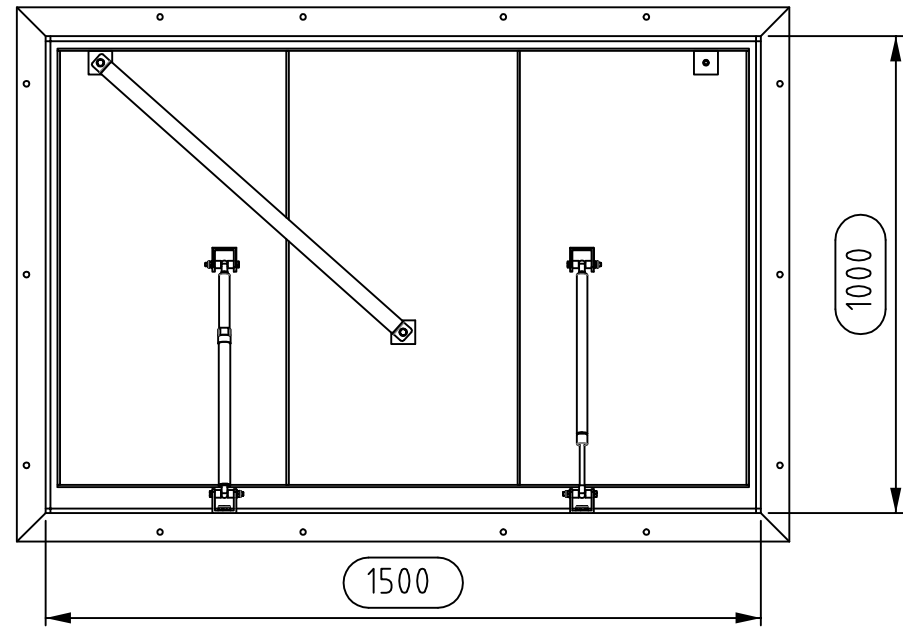
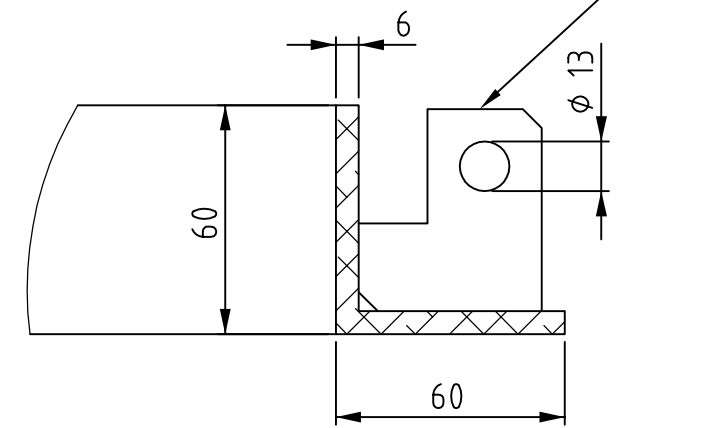



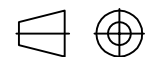
Copyright © 2018 by The Gorter Company BV - Schagen, the Netherlands  
 All rights reserved. This drawing is the property of publisher and incorporates specifications and designs in which publisher has proprietary rights.  
 No part may be reproduced, stored in a database or retrieval system or published in any form or any way without prior written permission from the publisher.



Padlock preparation



A  
1:2

										<b>The Gorter Company BV</b> PO Box 265 NL-1740 AG SCHAGEN www.gortergroup.com E-mail: sales@gortergroup.com Tel: +31 224 21 98 60 Fax: +31 224 21 98 61			
										Designation Floor door OP			
										Drawing number OP-1000-1500		Rev. 00	
										Projection view 		Scale 1:16	
										1/1 A3			