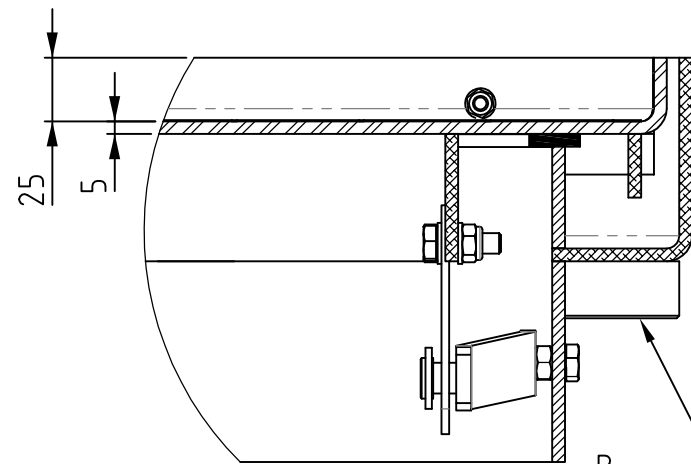
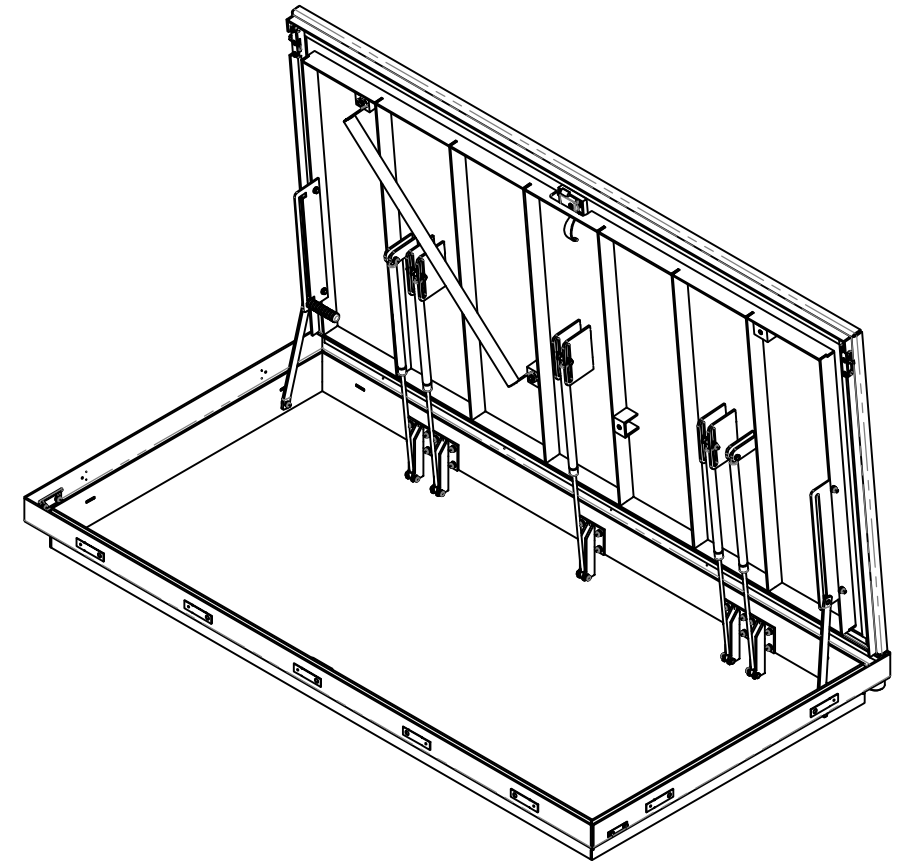
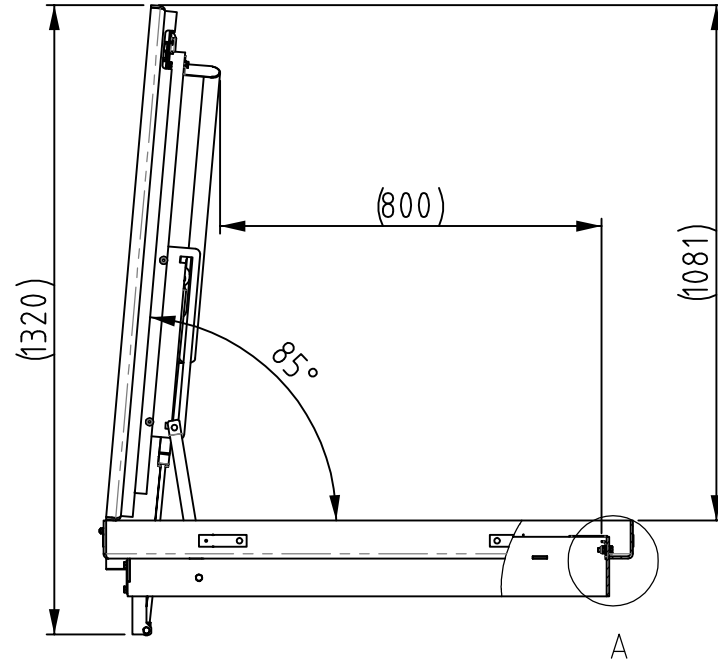
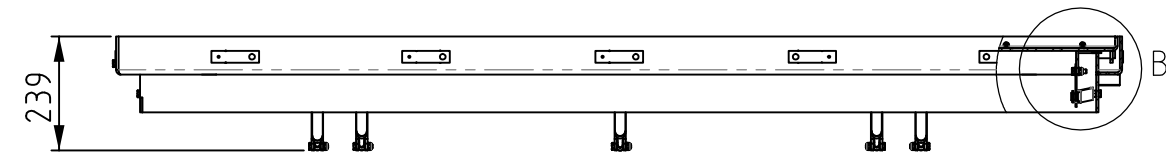
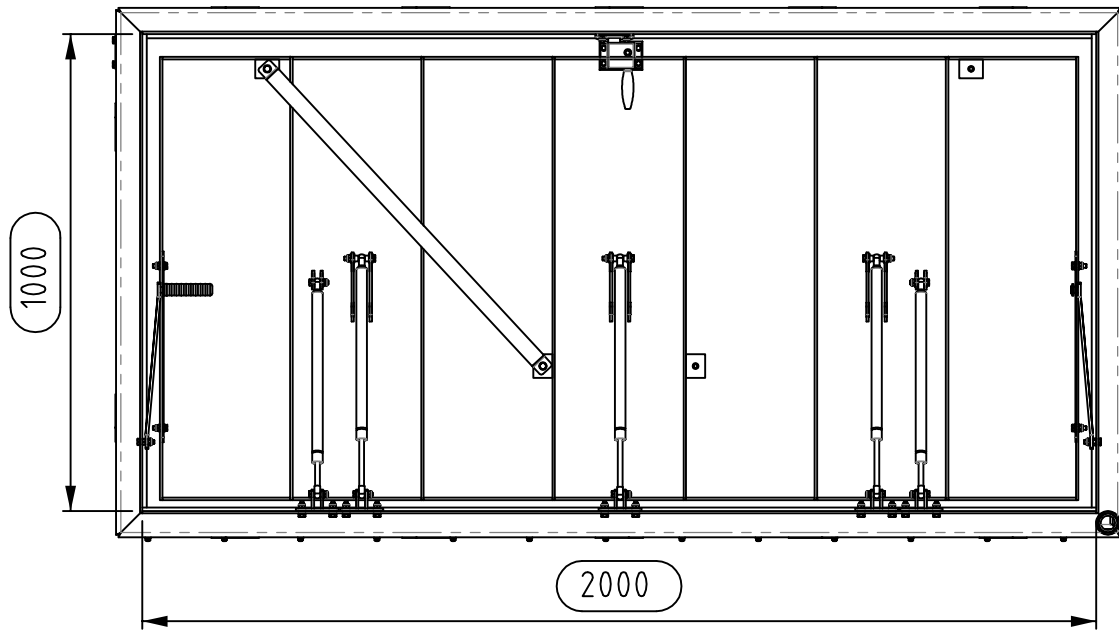
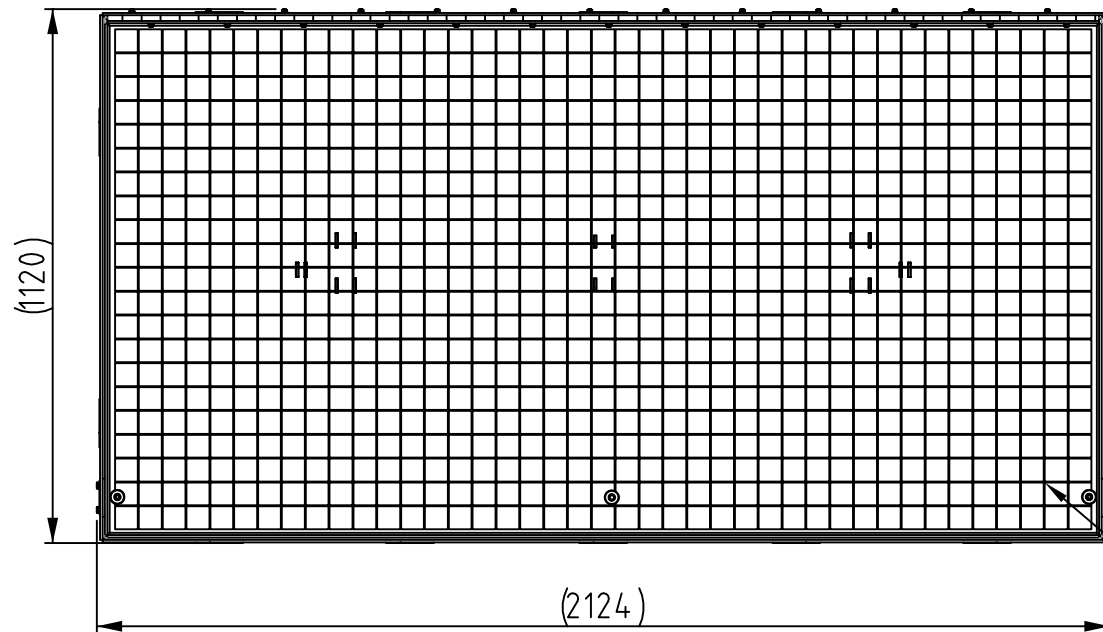
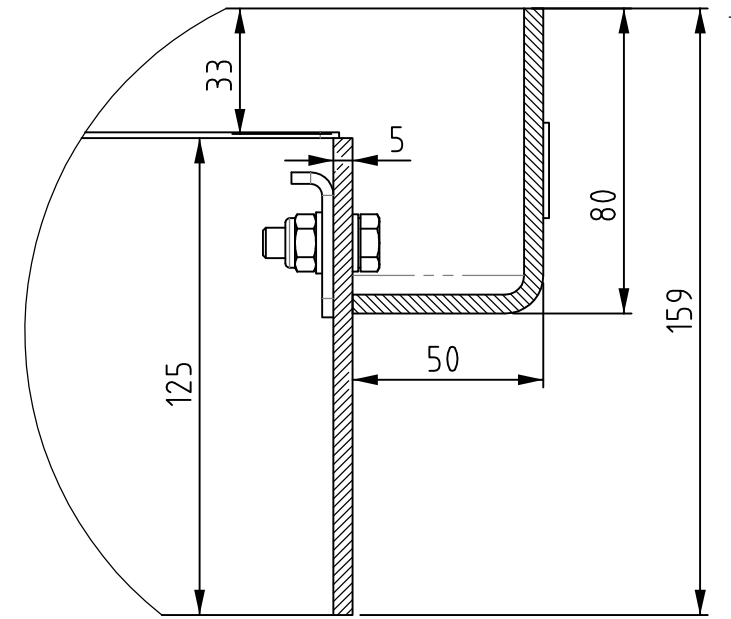


Copyright © 2018 by The Gorter Company BV - Schagen, the Netherlands
 All rights reserved. This drawing is the property of publisher and incorporates specifications and designs in which publisher has proprietary rights.
 No part may be reproduced, stored in a database or retrieval system or published in any form or any way without prior written permission from the publisher.



Water drainage 5/4"



Grid 0,5 mm

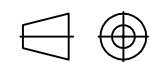
The Gorter Company BV

PO Box 265
 NL-1740 AG SCHAGEN
 www.gortergroup.com
 E-mail: sales@gortergroup.com
 Tel: +31 224 21 98 60
 Fax: +31 224 21 98 61



Designation
 Floor door WAPT

Projection view



Scale

1:16

Drawing number

WAPT-1000-2000

Rev.

00

1/1

A3