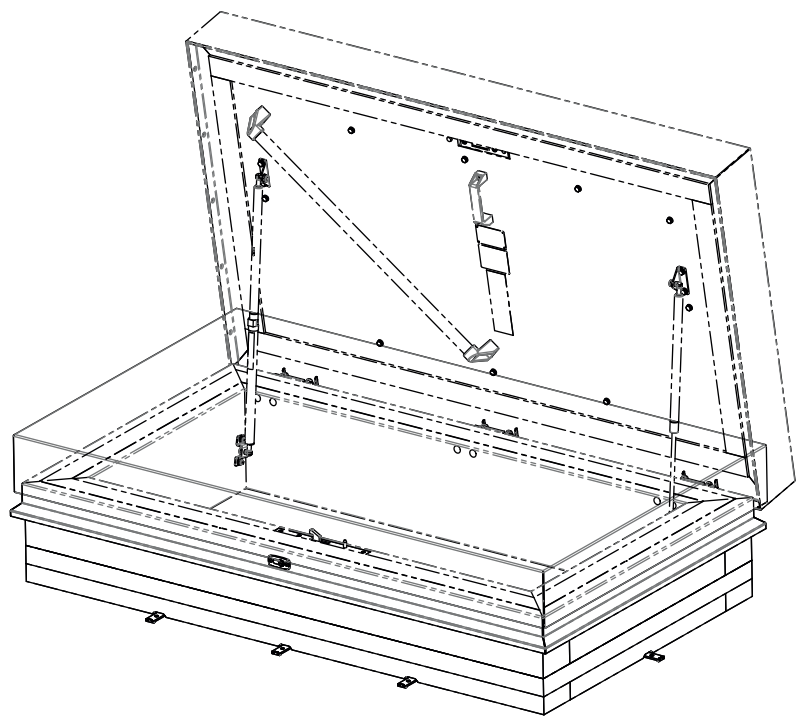
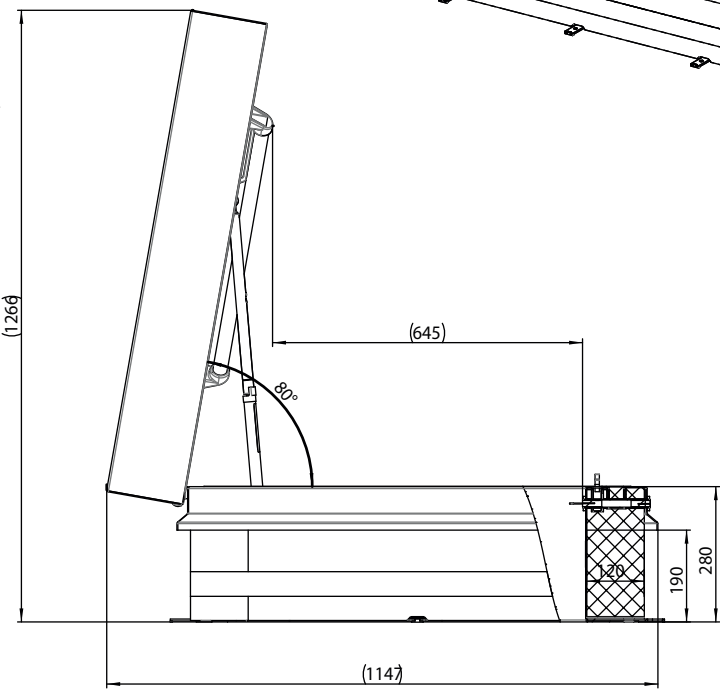
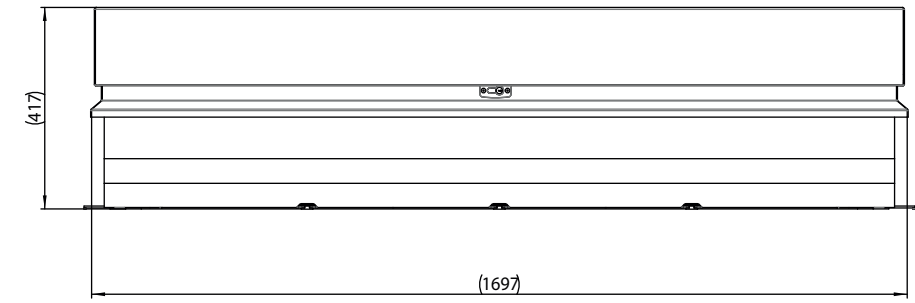
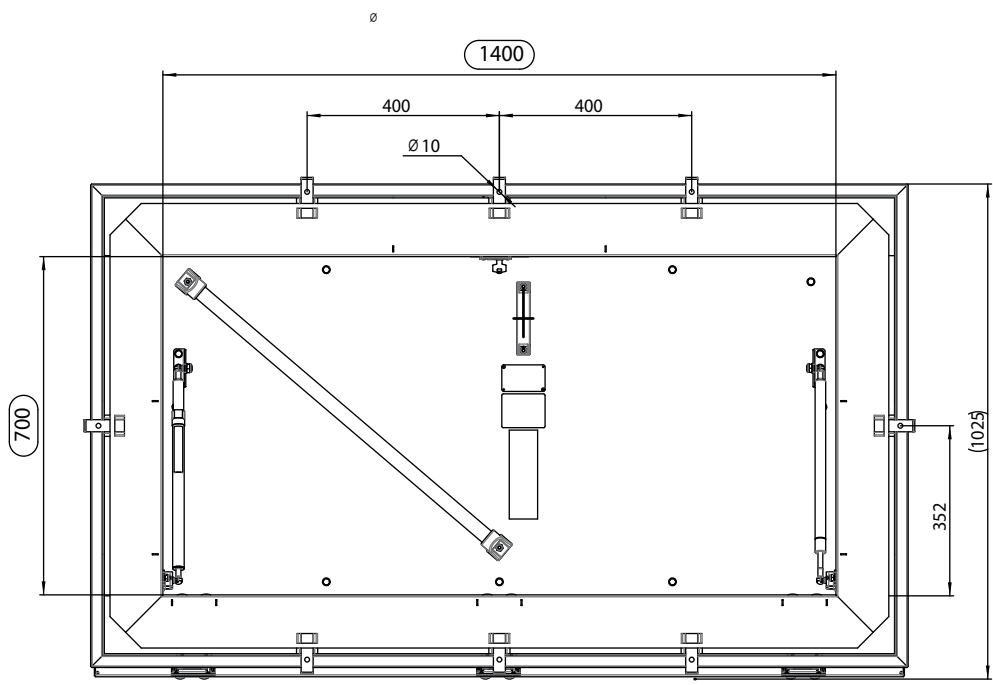


Copyright © 2018 by The Gortor Company BV - Schagen, the Netherlands
 All rights reserved. This drawing is the property of publisher and incorporates specifications and designs in which publisher has proprietary rights.
 No part may be reproduced, stored in a database or retrieval system or published in any form or any way without prior written permission from the publisher.



SCALE 1:10

				The Gortor Company BV	
				PO Box 265 NL-1740 AG SCHAGEN www.gortorproduct.com www.gortor.nl Tel: +31 224 21 98 60 Fax: +31 224 21 98 61	
				Designation Roof Hatch RHTEP	
				Drawing number RHTEP-0700-1400	
				Rev. 1/1	
				A2	
Projection view 		Scale 1:8		Rev. 1/1	