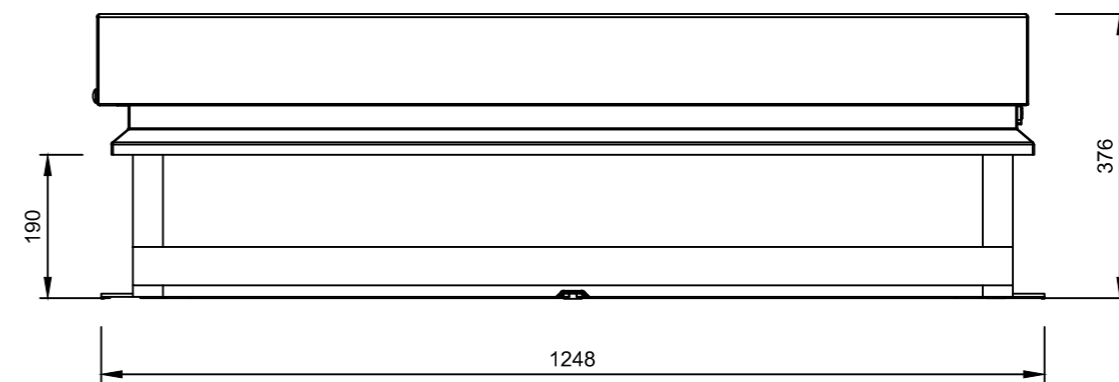
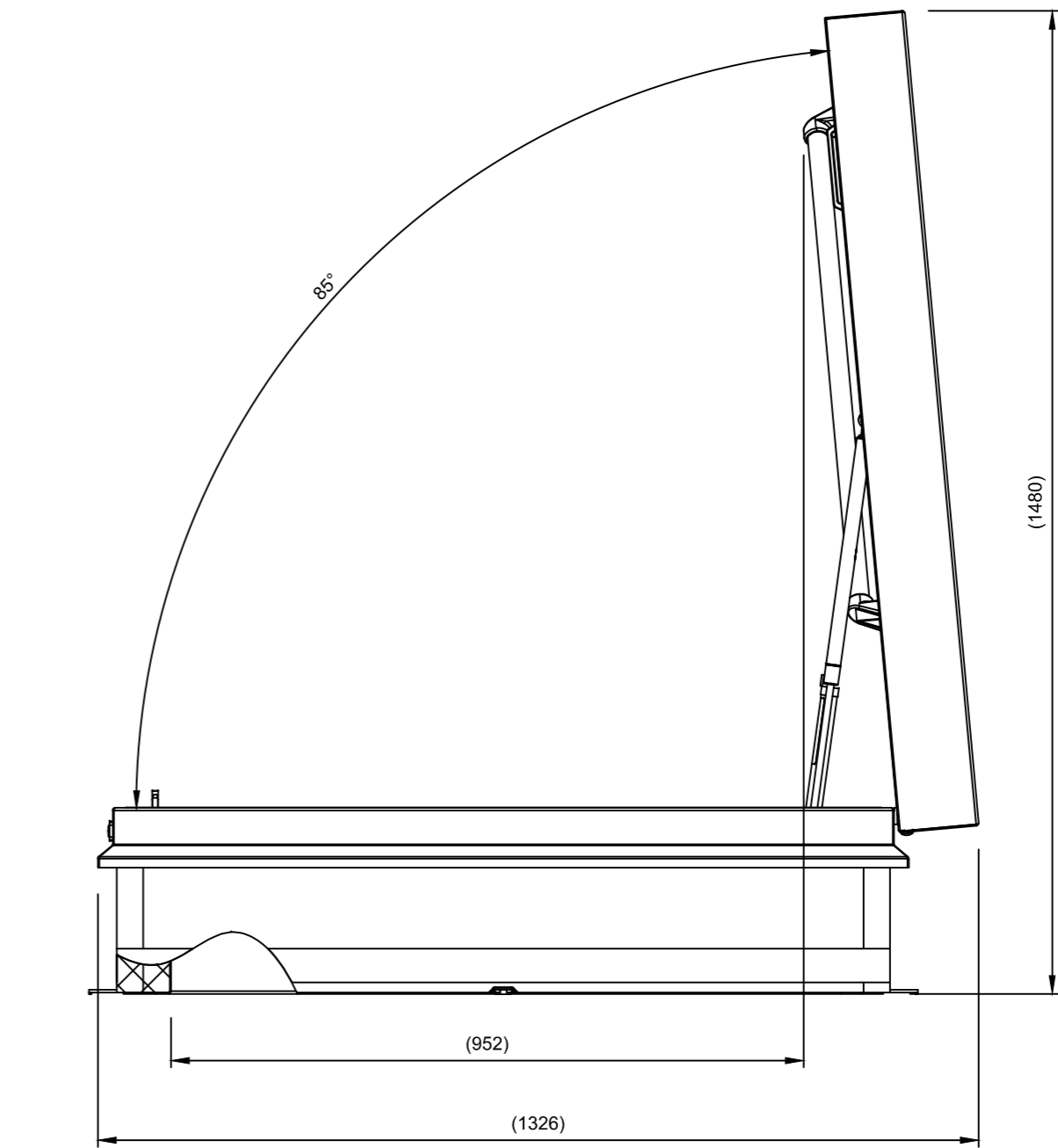
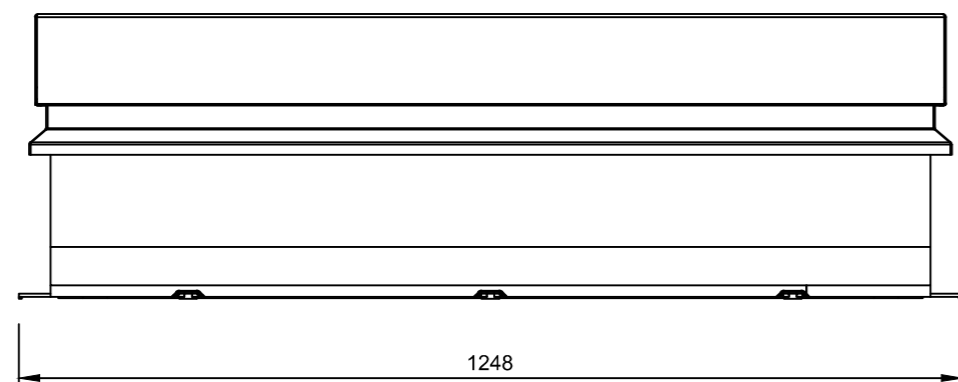
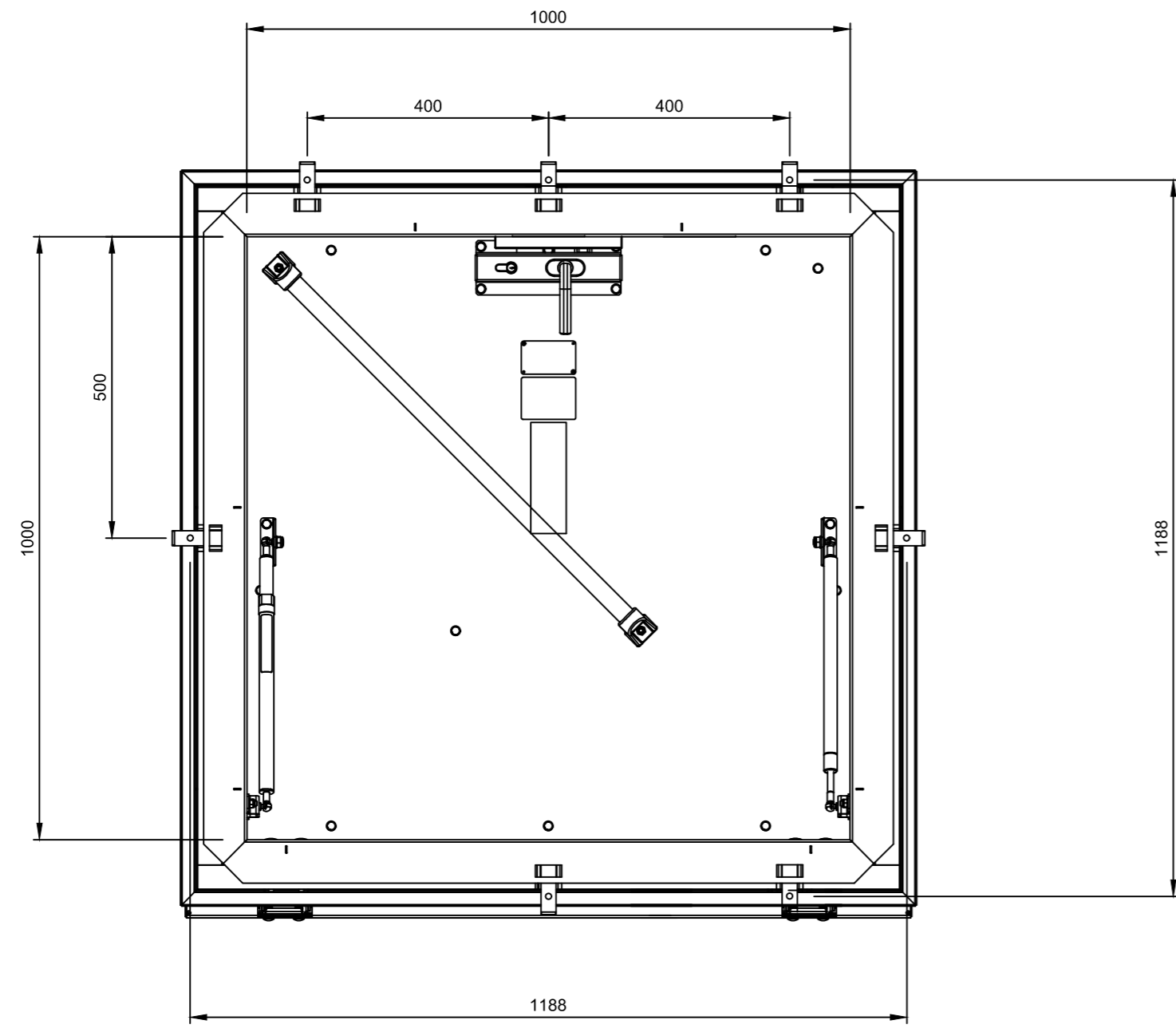


Copyright © 2020 by Gorter Group BV - Schagen, the Netherlands
 All rights reserved. This drawing is the property of publisher and incorporates specifications and designs in which publisher has proprietary rights.
 No part may be reproduced, stored in a database or retrieval system or published in any form or any way without prior written permission from the publisher.



Projection view		Gorter Group BV
Scale	1:10	PO Box 265 NL 1740 AG SCHAGEN www.gortergroup.com E-mail: sales@gortergroup.com Tel: +31 224 21 98 60 Fax: +31 224 21 98 61
Designation	Roof hatch RHTX	
Drawing number	RHTX_1010	Rev. 00
		1/1 A2