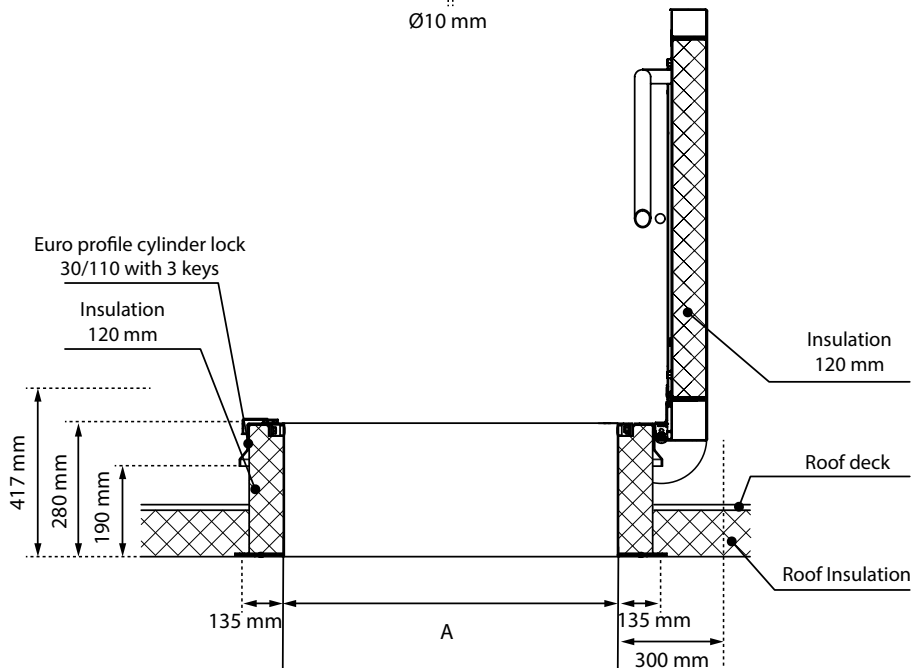
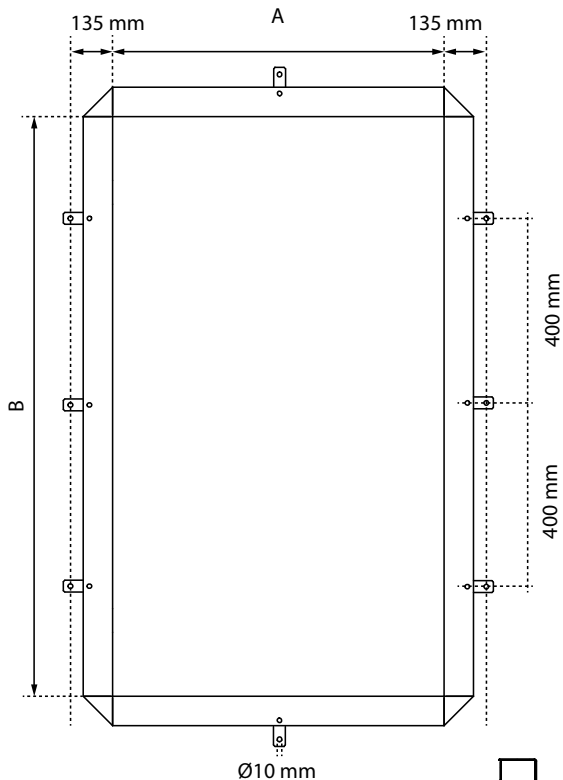
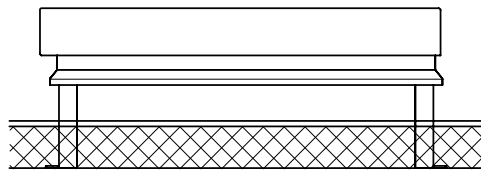
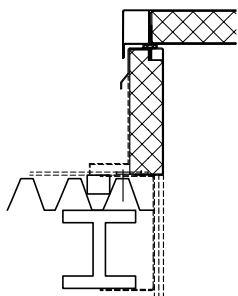


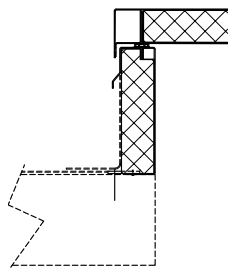
Technical Data Sheet - Roof Hatches RHTEP



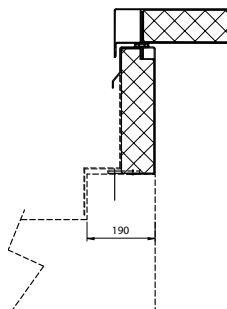
Steel



Concrete



Elevated curb



Type RHTEP

Roof hatch, single lid, aluminium

Type	A	B	Weight
RHTEP7014	700 mm	1400 mm	68 kg
RHTEP1015	1000 mm	1500 mm	82 kg

Usage

Roof hatches are generally only suitable for concrete, steel and wooden roofs. On higher roofs as well. Maximum slope of the roof as per table below.

Roof hatch type	Maximum roof angle
RHTEP	: 30°



RHTEP

ETA 18/0287

Gorter Roof Hatch with Thermalbreak

Resistance to permanent load, concentrated and uniformly distributed (Eurocode EN 1993-1-1)	: NPD
Thermal transmittance (EN-ISO 10077-2)	: $U_w \leq 0.20 \text{ W/(m}^2\text{K)}$
Resistance to snow load (EN 1991-1-3)	: 3.97 kN/m ²
Resistance to wind load (EN 12210)	: Class E 3000
Water tightness (EN 12208)	: Class E 650
Impact, hard body (EN 356)	: Class PSA
Impact, soft body (EN 13049)	: Class 5
Airborne sound insulation (EN-ISO 717-1)	: 26 dB
Air permeability (EN 12207)	: Class 3
Content and/or release of dangerous substances	: Declaration of manufacturer

Structural opening size

- The opening size of the roof hatch will match the structural opening size of the roof.
- If combined with a scissor stair attic ladder, the opening size may differ - please consult www.gortergroup.com for confirmation.

User manual and installation instructions supplied with product.