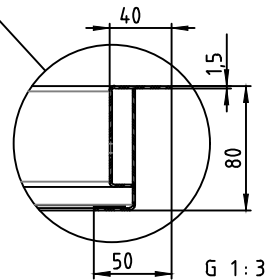
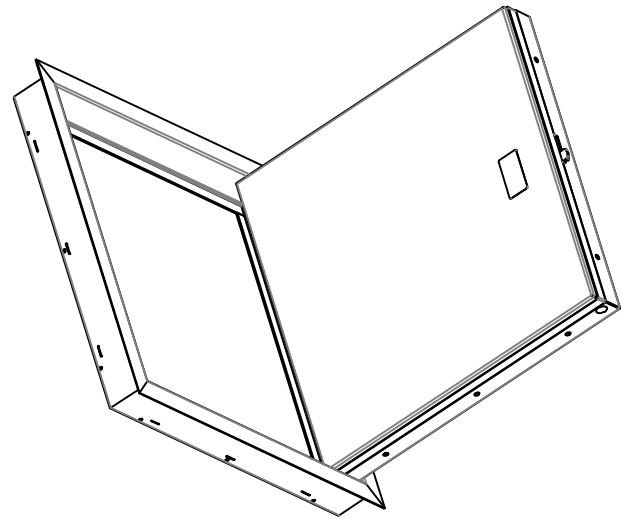
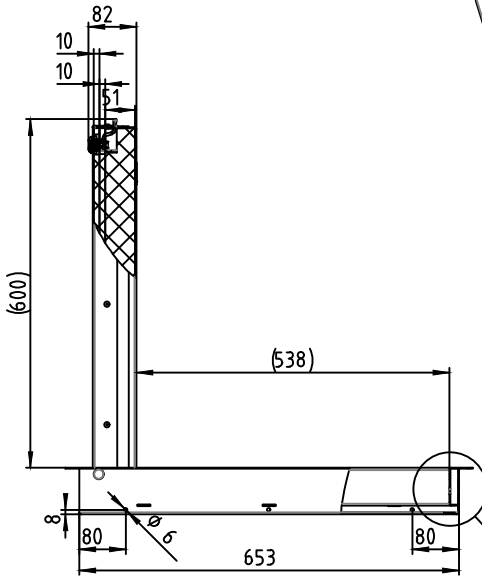
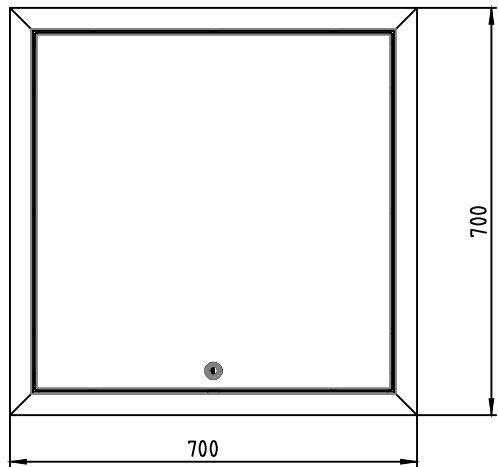
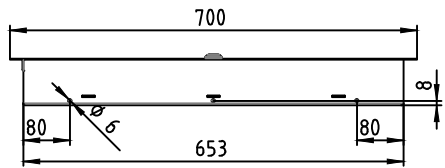
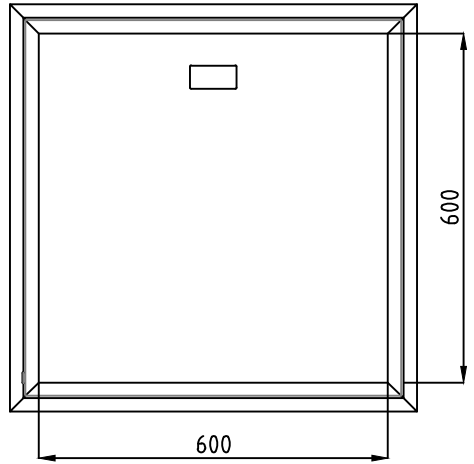


Copyright © 2018 by The Gorter Company BV - Schagen, the Netherlands
 All rights reserved. No part may be reproduced, stored in a database or retrieval system or published in any form or any way without prior written permission from the publisher.



										The Gorter Company BV	
										PO Box 265 NL-1740 AG SCHAGEN www.gortergroup.com E-mail: sales@gortergroup.com Tel: +31 224 21 98 60 Fax: +31 224 21 98 61	
										Designation Wall door fire rated B	
										Scale 1:8	
										Drawing number B-0600-0600	
										Rev. 1/1	
										A3	

