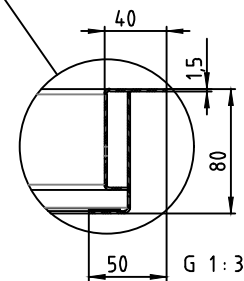
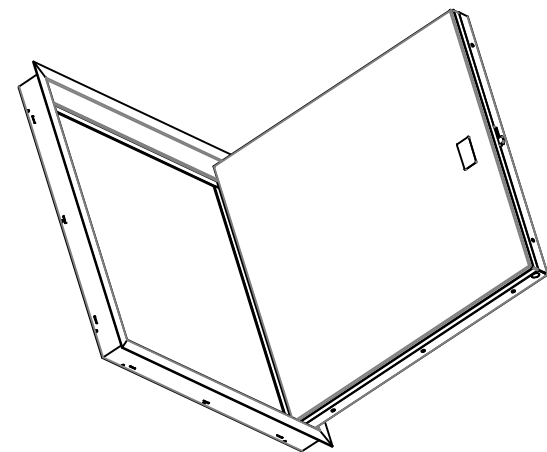
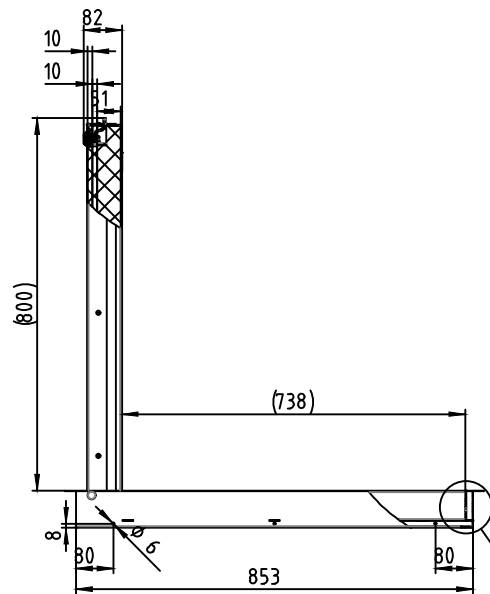
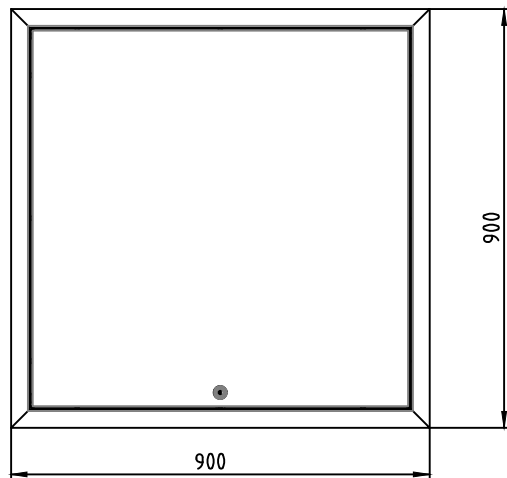
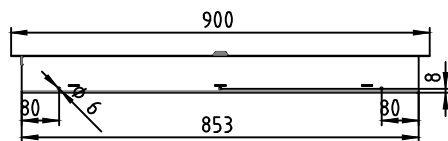
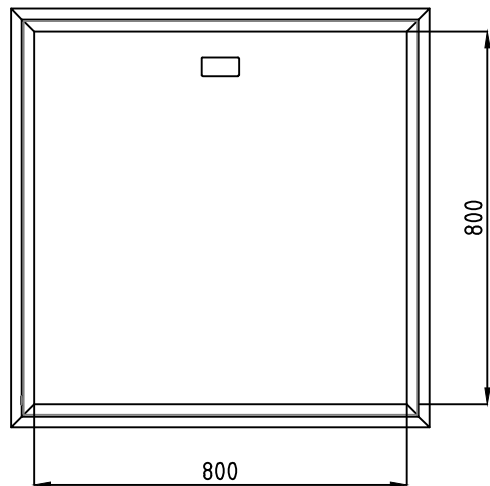


Copyright © 2018 by The Gorter Company BV - Schagen, the Netherlands
 All rights reserved. No part may be reproduced, stored in a database or retrieval system or published in any form or by any means, electronic, mechanical, photocopying, recording, or by any information storage and retrieval system, without prior written permission from the publisher.



										The Gorter Company BV	
										PO Box 265 NL-1740 AG SCHAGEN www.gortergroup.com E-mail: sales@gortergroup.com Tel: +31 224 21 98 60 Fax: +31 224 21 98 61	
										Designation Wall door fire rated B	
										Scale 1:10	
										Drawing number B-0800-0800	
										Rev. 1/1	
										A3	

